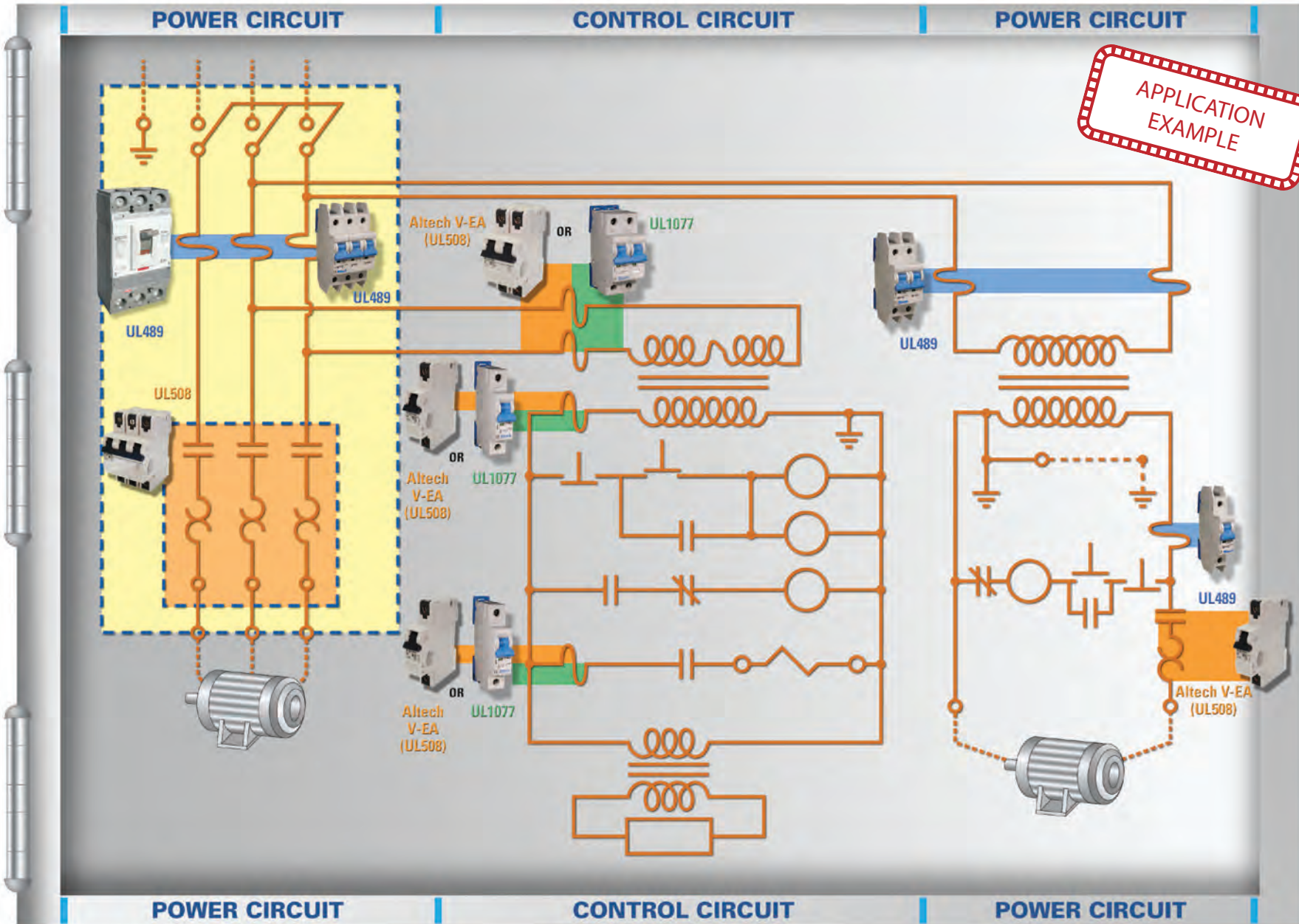


Typical UL508A Panel

APPLICATION EXAMPLE

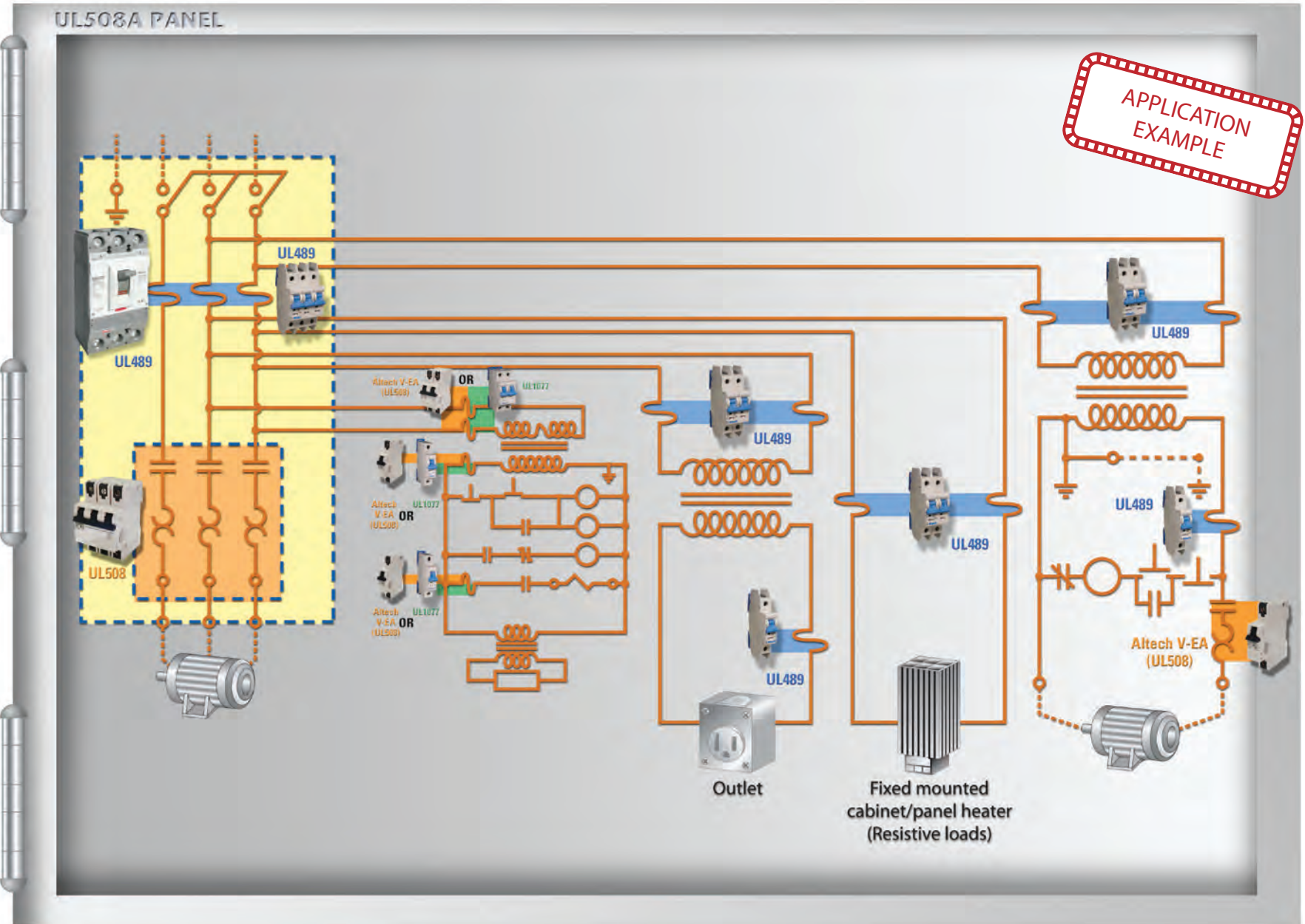


Disclaimer: This is an application example. Installation should be done by a qualified electrician under the guidance of UL/NEC® specifications.

Variation of UL508A Panel (see NEC® article 430.53 for reference and more information).

Altech Corp.®

APPLICATION
EXAMPLE



Disclaimer: This is an application example. Installation should be done by a qualified electrician under the guidance of UL/NEC® specifications.

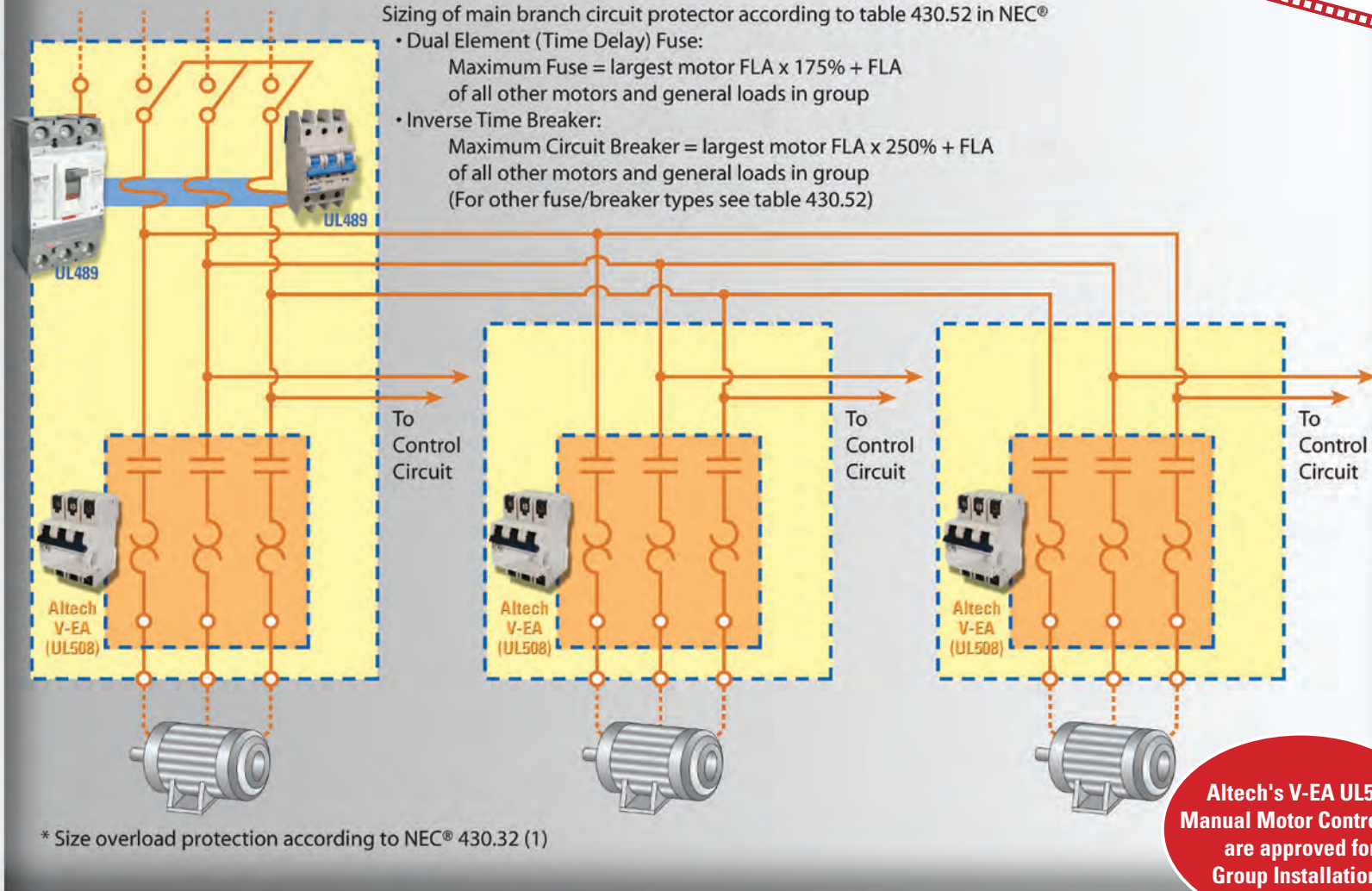
Altech UL489

Altech UL508

Altech UL1077

APPLICATION
EXAMPLE

UL508A PANEL



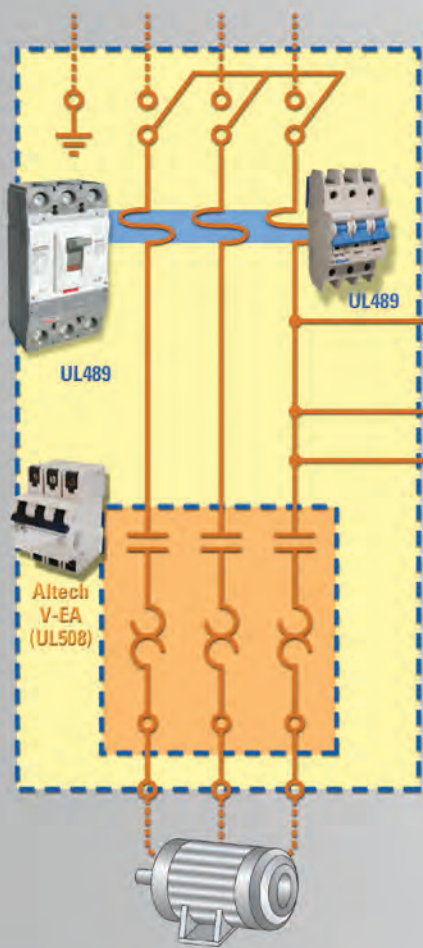
Disclaimer: This is an application example. Installation should be done by a qualified electrician under the guidance of UL/NEC® specifications.

Typical Motor Group Installation

(see NEC® article 430.53 for reference and more information).

APPLICATION EXAMPLE

UL508A PANEL



Sizing of main branch circuit protector according to table 430.52 in NEC®

- Dual Element (Time Delay) Fuse:
Maximum Fuse = largest motor FLA x 175% + FLA of all other motors and general loads in group
- Inverse Time Breaker:
Maximum Circuit Breaker = largest motor FLA x 250% + FLA of all other motors and general loads in group
(For other fuse/breaker types see table 430.52)

* Size overload protection according to NEC® 430.32 (1)

Altech's V-EA UL508 Manual Motor Controllers are approved for Group Installations

Disclaimer: This is an application example. Installation should be done by a qualified electrician under the guidance of UL/NEC® specifications.